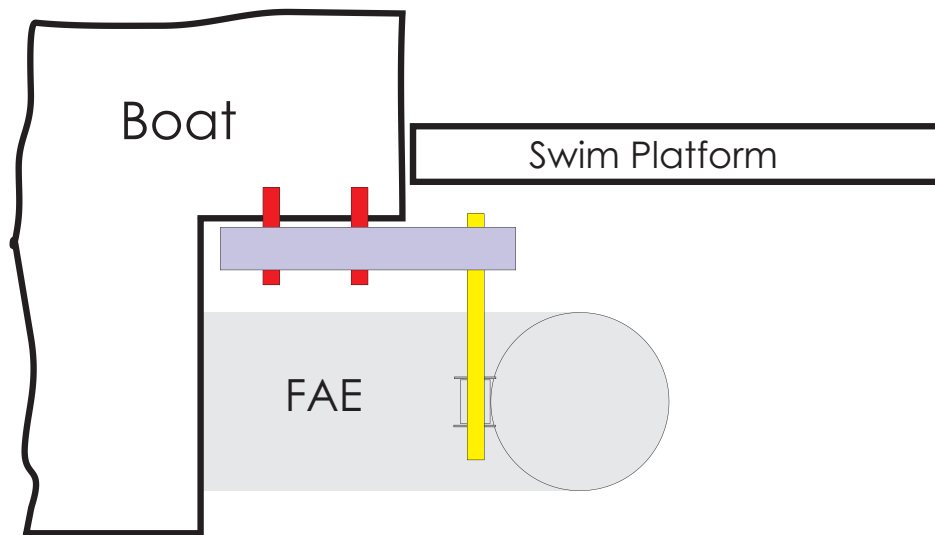


F AE Mounted to the boat's overhang.



F AE can mount to the overhang on some boats. In the example above, 2 square tubes are mounted to the overhang and the square tubes extend over, and mount to, the all-thread. In the example below, the all-thread mounts directly into the overhang.

The furthest aft bolt in the overhang needs to be about 1" forward of the rear of the overhang and also needs to clear any hardware, wires or hose mounted inside the boat. Once you verify where the bolt or all-thread should go, drill the hole from outside the boat with the smallest drill bit you have. Verify that this hole is in the correct position. Once your hole positions are verified, drill 5/16" holes into the overhang. When you begin drilling the 5/16" hole, first run the drill in reverse as this creates a cleaner hole.

Use the larger washers and silicone or other marine sealant to complete the installation.

